



Level 3 DC Charging Station

DC360

360kW
400 Amps
ISO 15118



Features

- ✓ **Charging Outlet:** Dual Connector CCS1, or CCS1 + NACS, or CCS1 + CHAdeMO connector with retractable cable management that can charge any vehicle on the road.
- ✓ **Safe and Reliable:** DC360 stations are meeting the stringent requirements of the nation's leading safety standards organization.
- ✓ **Hardware:** DC360 stations are rugged waterproof IP54 rated they can be installed outdoors or indoors, built to withstand the elements.
- ✓ **OCPP Networked Charging:** Receive automatic software updates that deliver the latest improvements and features. Remotely monitor, manage multiple charging sites in one place and configure stations. You can also get real-time station information, track the charging status of all vehicles.

AC Nominal Input

Phase/Lines	3 phase + neutral + PE
Voltage	480V
Max . input current	435A
Frequency	50Hz / 60Hz (±10%)

DC Nominal Input

Voltage	150-1000V DC
Constant power	360KW

Electrical Parameter

Power Factor	≥0.99
Unequal Current Ratio	≤ 5%
Stable voltage accuracy	≤±0.5%
Stable Current Accuracy	≤±1%
Efficiency	≥ 95% (50%-100% load)

User Interface

Charging Outlet	Dual Connector CCS1, or CCS1 + NACS, or CCS1 + CHAdeMO
Cable Length	16.4 Feet (standard)
LED Indicator	Diode Strip Light
LCD screen	10-inch Daylight readable touchscreen
Emergency Stop Button	Yes
Startup Mode	Plug-and-play/RFID card
RFID	Yes

Communication

Connectivity	4G, Wi-Fi, Ethernet
Communication Protocol	OCPP 1.6 (JSON)

Environmental Index

Operation Temperature	-40°C ~ 50°C
Working Humidity	5%-95% without condensation
Working Altitude	<2000m
Protection Grade	IP54
Application Site	Indoor/Outdoor
Cooling Method	Liquid cooling

Protection

Multiple Protection	Over/Under voltage protection, overload protection, short circuit protection, over/under temperature protection, Surge protection, Communication failure
Dimension (HxWxD)	90 x 37.5 x 31 inch
Safety and Compliance	UL and cUL listed

⚡ 360kW

⚡ Single- unit architecture for simplified installation

⚡ CCS1, NACS and CHAdeMo Connector Options

⚡ Serviceable by Design Front and Side Door Access

Maintenance can be managed by single person

⚡ Retractable 17ft Charging Cable

⚡ 10 inch Daylight Readable Touchscreen
Diode Strip Lights

⚡ Plug and Play / RFID Card

⚡ Simultaneous Charging

Charges 2 vehicles simultaneously

⚡ Emergency Stop Button

⚡ Ethernet, Wi-Fi and 4G

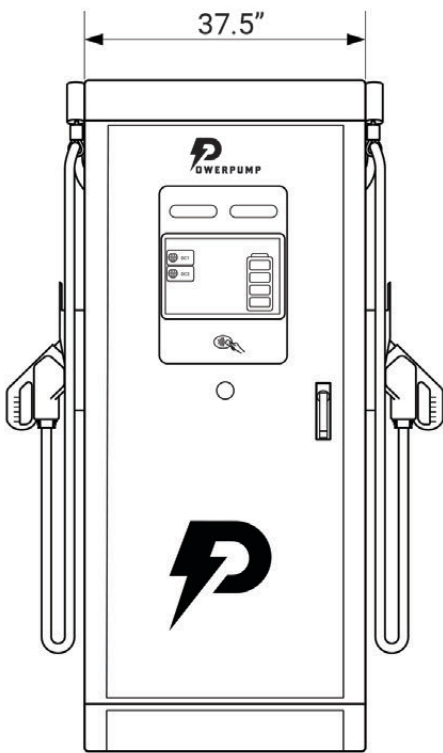
ADA Compliant

90"H x 37.5"W x 31"D

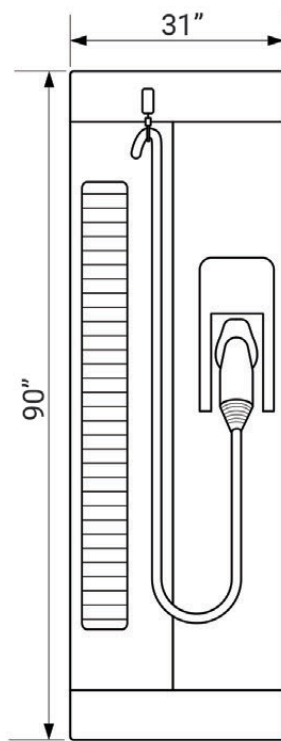




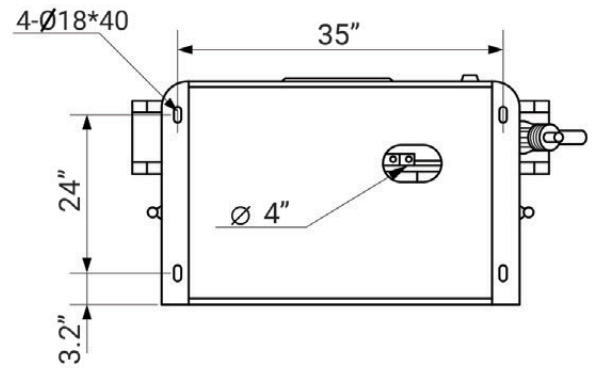
DC 360kW Pre Installation Guide



Front View



Side View



Bottom View